

PRESSURE REGULATORS

Special Service

Fluorine Service Models



Description: These regulators have been designed, constructed, and tested specifically for fluorine service. Since fluorine is a highly reactive element and a strong oxidizer, it is necessary to take special care in the design and construction of fluorine handling equipment.

These regulators feature a specially designed, bronze-filled PTFE seat, encased in a Monel housing. This significantly reduces non-metallic exposure to the wetted stream, thus reducing the risk of ignition.

All wetted parts are constructed of Monel metal, Iconel®, or bronze-filled PTFE materials and are protected by a 10-micron, sintered Monel filter. The regulator is degreased, passivated, and ready for immediate use in fluorine service.

Design Features

Filtered Seat

for added gas stream purity and extended service life.

Unique, Bronze-Filled PTFE Seat Design

reduces the risk of ignition from a chemical reaction.

Monel Metal Construction

provides excellent corrosion resistance and is ideally suited for strong oxidizers such as fluorine.

Large, 2 1/2" Monel Gauges

permit easy, accurate reading.

Degreased and Passivated

allows for immediate use in fluorine service.

Specifications

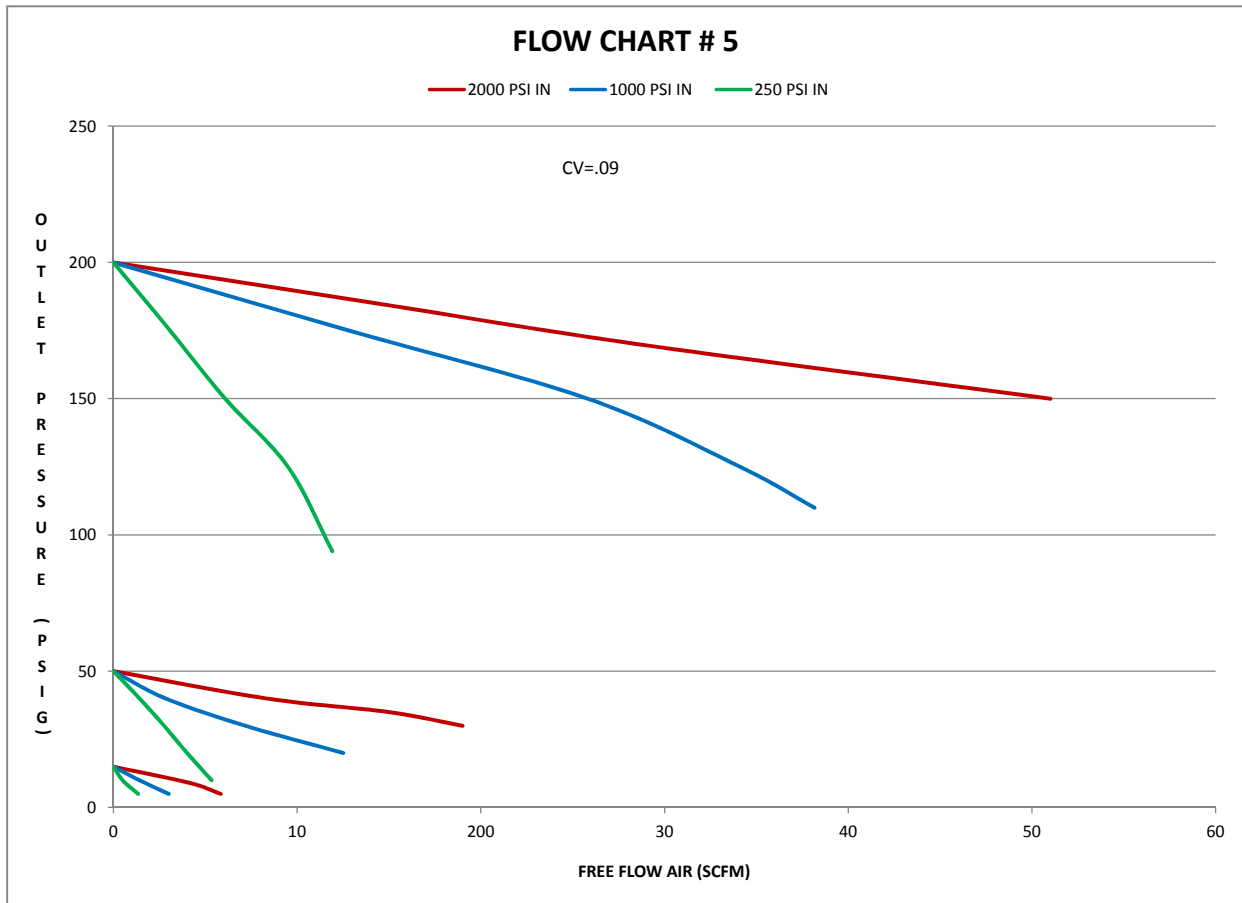
| | |
|-------------------------------|-----------------------|
| Maximum Rated Inlet Pressure | 1,000 psig |
| Outlet Pressure Ranges | 0-50 psig |
| Flow Capacity | Cv=0.08 |
| Ambient Operating Temperature | -40° F to +165° F |
| Designed Leak Rate | Bubble-Tight (helium) |
| Weight | 6 lbs |
| Ports (4) | 1/4" FNPT |
| Outlet | 1/4" MNPT |
| Decay Inlet Characteristic | 0.35/100 psi |

Materials

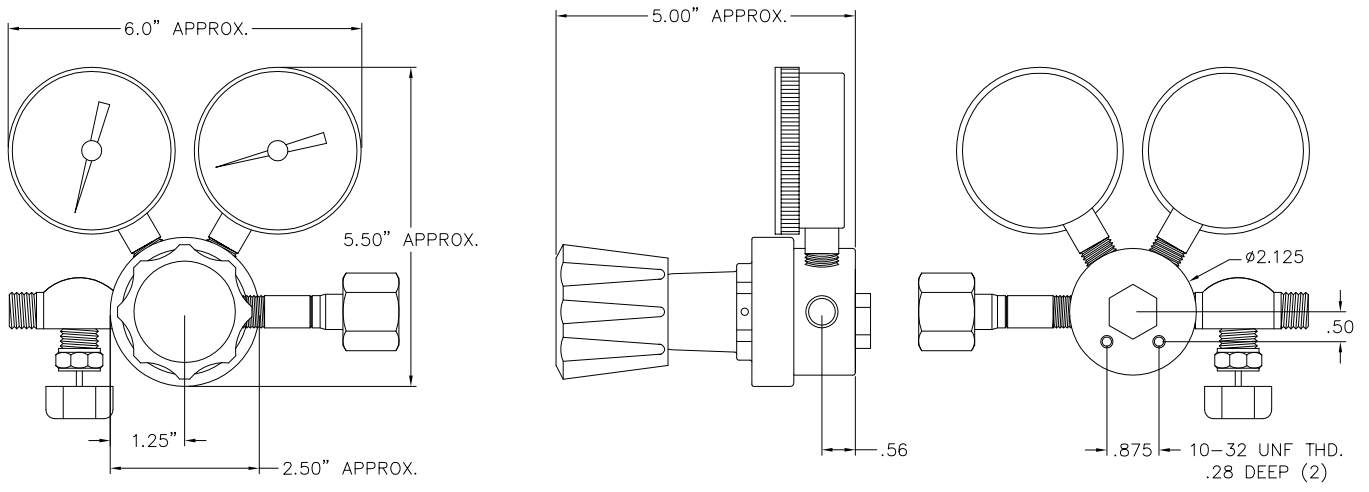
| | |
|--------------|---------------------|
| Body | Monel |
| Bonnet | Nickel-Plated Brass |
| Seat | Bronze-Filled PTFE |
| Diaphragm | Monel |
| Gauges | 2 1/2" Monel |
| Filter | Sintered Monel |
| Valve Stem | Monel |
| Valve Spring | Iconel® |
| Outlet Valve | Monel |
| Trim | Monel |

Ordering Information

| Product Number | Material | Max Inlet Pressure (psig) | Max Outlet Pressure (psig) | Capacity (scfh @ Max Del. Pressure) | Inlet Gauge Range (psig) | Delivery Gauge Range (psig) |
|--------------------|----------|---------------------------|----------------------------|-------------------------------------|--------------------------|-----------------------------|
| Y11-F3321(670/679) | Monel | 1,000 | 50 | 250 | 0-1,000 | 0-500 |



Equipment



SINGLE STAGE REGULATOR