

**PRESSURE REGULATORS**

**General-Purpose**

## Two-Stage Brass Regulators



**Description:** These unique patented general-purpose, two-stage regulators are recommended for analytical, non-corrosive, general plant, pilot plant and maintenance shop applications. These regulators have a unique design to reduce weight and make the regulator more durable. The composite bonnet and the outlet valve are incorporated into the regulator body to reduce weight. The external nickel plating, along with the composite bonnets, allows the exterior surfaces to maintain a good appearance in outdoor environments. Two-stage design, with its 316 stainless steel diaphragms, provides precise pressure control from full cylinder to almost empty. A preset safety relief valve makes these regulators suitable for use only with non-corrosive gases.

### Design Features

**Filtered Seat**

for added gas stream purity and extended service life.

**Composite bonnets**

reduce weight and extend finish in outdoor environments.

**316 Stainless Steel Diaphragms**

provide precise pressure control.

**Large, 2 1/2" Nickel-Plated Brass Gauges**

for accurate, easy reading.

**Outlet Needle Valve**

built into body

**Preset Safety Relief Valve**

prevents excessive pressure buildup.

**Encapsulated Filtered Seat Assy**

protect parts, extend service life.

**Nickel-Plated Bar Stock Body**

provides long-lasting good looks; will not tarnish.

### Specifications

<b>Maximum Rated Inlet Pressure</b>	3,500 psig
<b>Outlet Pressure Ranges</b>	0-25, 0-50, 0-100, 0-250 psig
<b>Flow Capacity</b>	Cv=0.13
<b>Ambient Operating Temperature</b>	-40° F to +165° F
<b>Designed Leak Rate</b>	Bubble-Tight (helium)
<b>Weight</b>	5 lbs
<b>Ports (5)</b>	1/4" FNPT
<b>Inlet</b>	1/4" FNPT
<b>Outlet</b>	1/4" MNPT
<b>Decay Inlet Characteristic</b>	0.25/100 psi

### Materials

<b>Body</b>	Nickel-Plated Brass
<b>Bonnet</b>	Composite
<b>Seat</b>	PTFE
<b>Diaphragm</b>	316 Stainless Steel
<b>Gauges</b>	2 1/2" Nickel-Plated Brass
<b>Filter</b>	316 Stainless Steel and Bronze
<b>Valve Stem</b>	316 Stainless Steel
<b>Valve Spring</b>	316 Stainless Steel
<b>Outlet Valve</b>	Nickel-Plated Brass
<b>Trim</b>	Nickel-Plated Brass

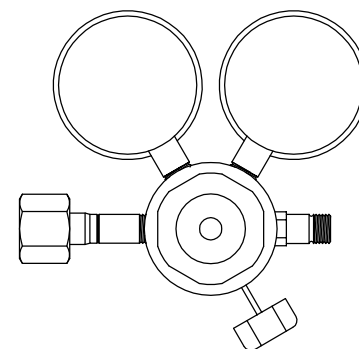
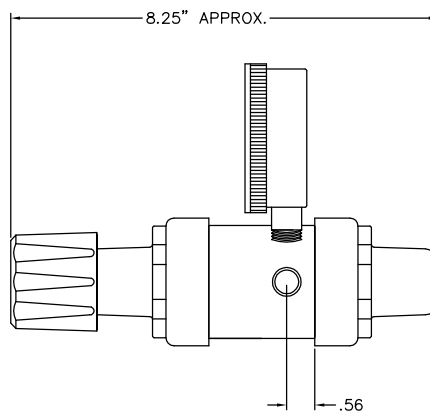
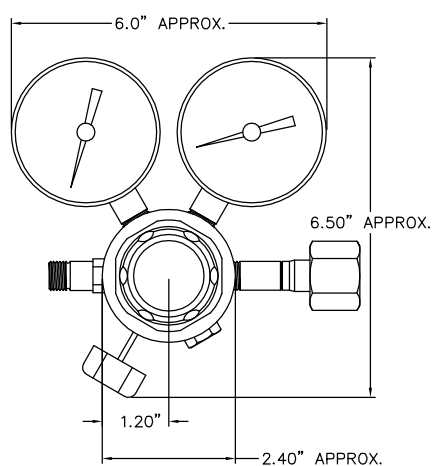
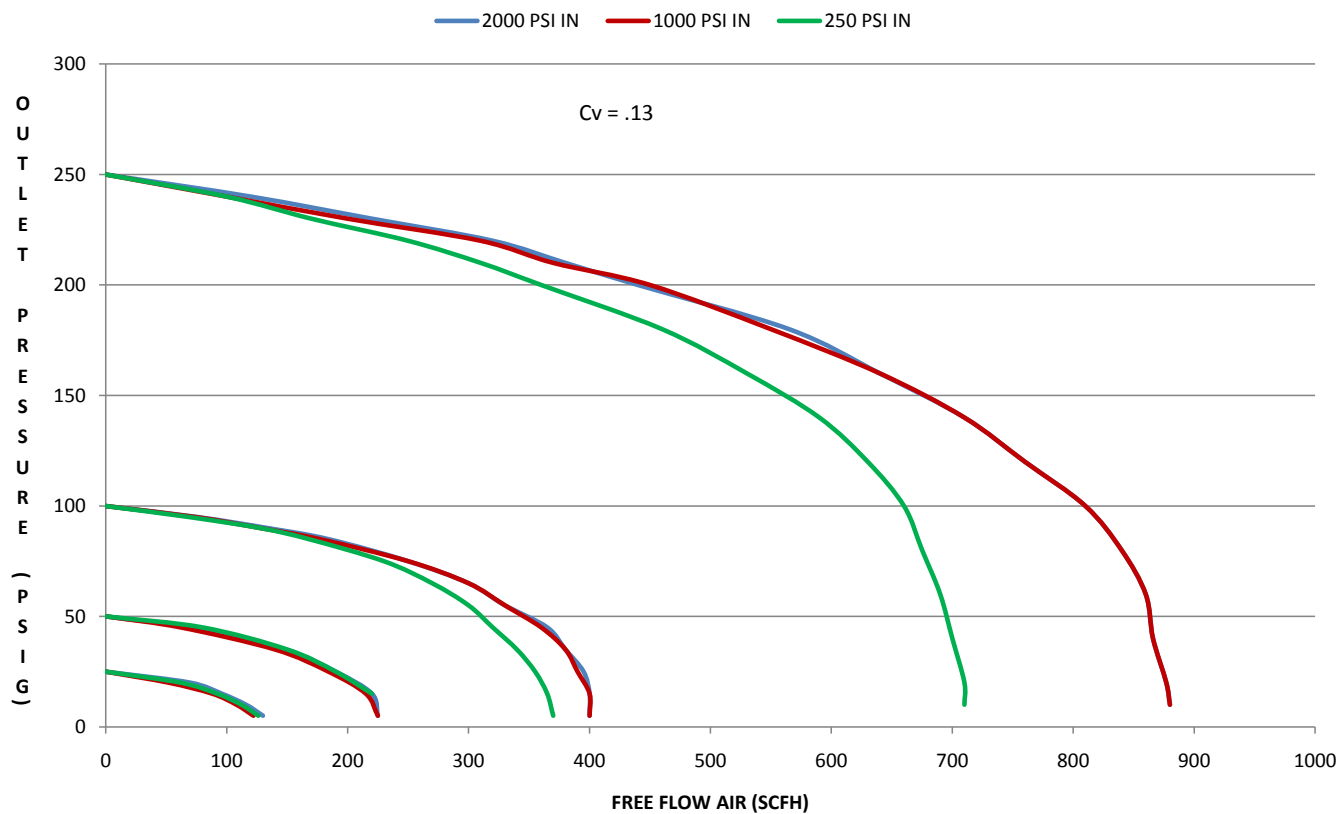
### Ordering Information

Product Number	Material	Max Inlet Pressure (psig)	Max Outlet Pressure (psig)	Capacity (scfh @ Max Del. Pressure)	Relief Valve Setting (psig)	Inlet Gauge Range (psig)	Delivery Gauge Range (psig)
Y12-215A(CGA)	Brass	3,500	25	240	85	0-4,000	0-30
Y12-215B(CGA)	Brass	3,500	50	600	150	0-4,000	0-60
Y12-215D(CGA)	Brass	3,500	100	1,200	150	0-4,000	0-200
Y12-215F(CGA)	Brass	3,500	250	1,920	350	0-4,000	0-400

### Available Options

Product Number	Description
Y99-26120	1/4" FNPT x 1/4" Compression
Y99-26140	1/4" FNPT x 1/8" Compression
Y99-CKCGA	Check Valve CGA Connection

## FLOW CHART # 16



TWO STAGE REGULATOR