

## Airgas CryoWiz

The Airgas 577 series CryoWiz™ delivers a continuous supply of liquid nitrogen from a primary and secondary source automatically with no temperature change. The CryoWiz uses a proprietary algorithm and precise pressure and temperature sensors to monitor the demand for and supply of the liquid nitrogen. With a unique insulated switching mechanism, high flow pneumatic valves, and hot gas bypass programming, the CryoWiz automatically switches sources with virtually no change in delivered cryogenic temperature. Ensuring both consistent temperature and continuous supply, the CryoWiz is ideal for critical cryogenic applications such as cryopreservation and environmental chambers

Cryogenic Liquid Manifold

Manifolds



### Design Features

- **Automatic Proprietary Control Algorithm**  
Ensures continuous efficient supply
- **Insulated Switching Mechanism**  
Minimizes flow loss of liquid
- **High Flow Pneumatic Control Valves**  
Supplies multiple freezers
- **Hot Gas Bypass**  
Eliminates flow loss
- **Single Compact NEMA 12 Enclosure**  
Occupies less space easy to install
- **Remote Monitoring**  
USB and Ethernet communication  
24,000 event date and time log
- **Oxygen Deficiency Relay Contact**  
Ensures OSHA safe use
- **Local Audible and Visual Alarm**  
On-board emergency monitoring
- **Optional Remote Alarm**

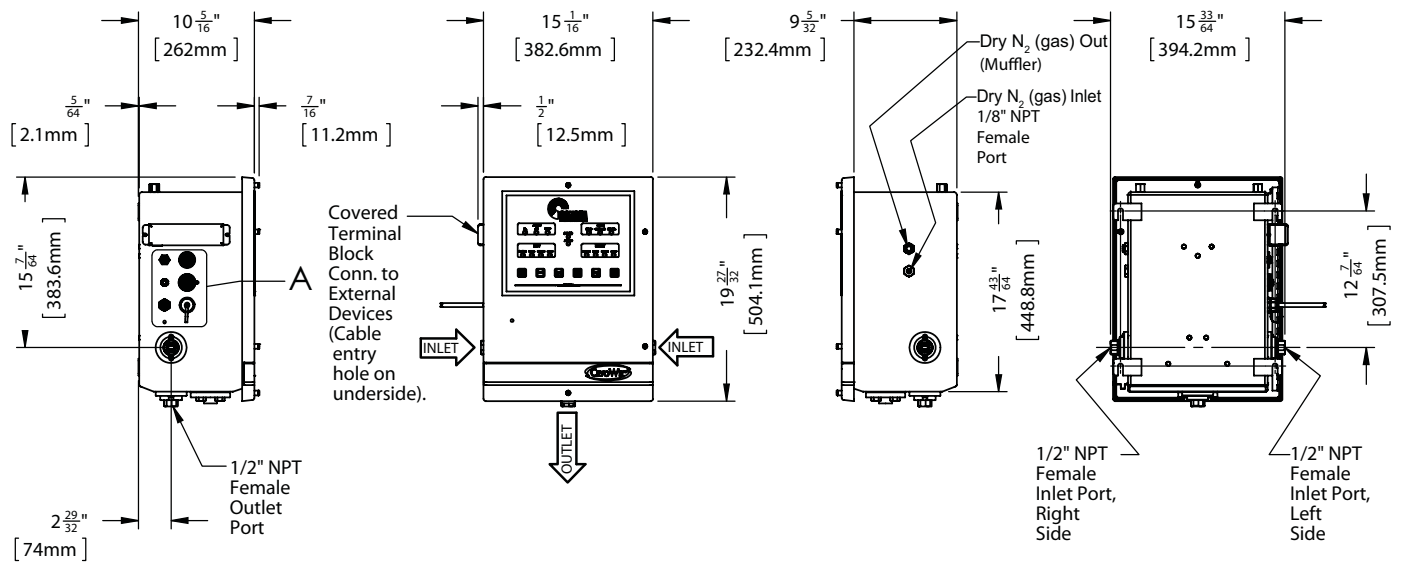
Materials	
Enclosure	Powder coated NEMA 12
Internals	Brass bar stock
Cryogenic Relief Valves	50 PSIG (3.5 BAR) optional 1/2" FPT
Hot Gas Bypass	1/2" FPT
Maximum Inlet Pressure	35 PSIG (2.4 BAR) optional
Inlet Connection	1/2" FPT
Outlet Connection	1/2" FPT
Drain	1/2" PVC

Specifications	
Alarm Output	1 or 5 dry contact NC
Alarm Inputs	Oxygen deficiency relay
Dry Nitrogen (Gaseous)*	105 PSIG (7 BAR) max 95 PSIG (5 BAR) min Inlet: 1/8" FNPT * Required for pneumatics
Communication Ports	USB (maintenance only) Ethernet (optional)
Power	90-264 VAC, 47-63 Hz (US, UK, European, Australian, and Chinese adapters included)
Weight	40 lbs (18 kg)

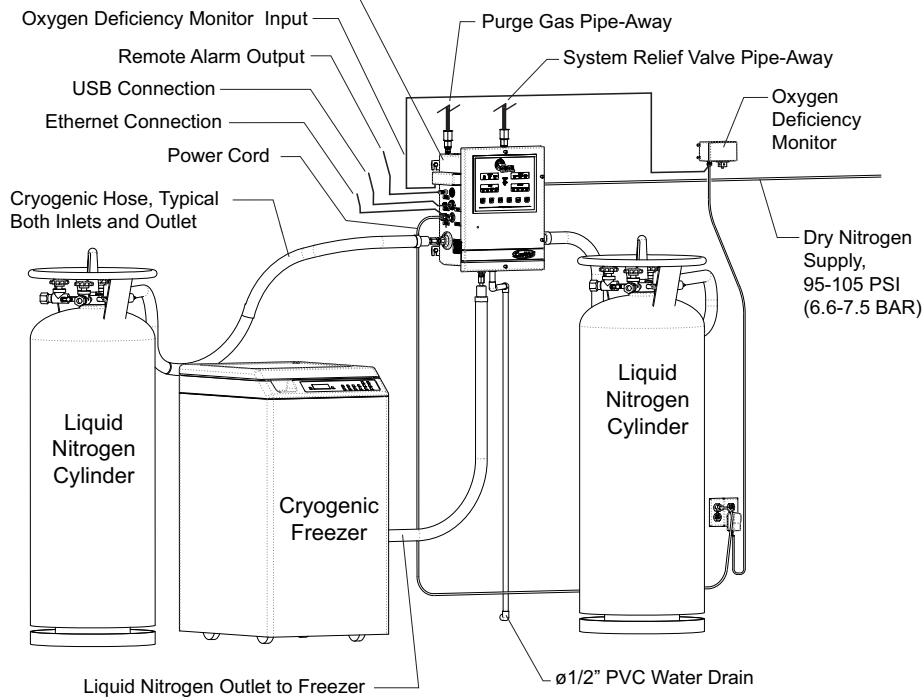
Equipment

### Airgas Quality Policy

The purpose of the Airgas Quality System is to continually improve our manufacturing and related processes to provide our customers with the highest product purity, consistency, and service.



## 577 Series CryoWiz™



### Ordering Information

Product Number	Description	Material
Y11-CP577N2	1 x 1 Liquid Nitrogen Manifold No Hose	Brass
Y11-CP577N236	1 x 1 Liquid Nitrogen Manifold w/36" Hose	Brass
Y11-CP577N248	1 x 1 Liquid Nitrogen Manifold w/48" Hose	Brass
Y11-CP577N272	1 x 1 Liquid Nitrogen Manifold w/72" Hose	Brass
Y40-DEFALARM	Oxygen Deficiency Alarm 110 VAC No Hose	

For additional hoses, configurations, options and technical support please call 1-800-939-5711

### Airgas Quality Policy

The purpose of the Airgas Quality System is to continually improve our manufacturing and related processes to provide our customers with the highest product purity, consistency, and service.